

# PECO VC109

Two-Stage Moisture Proof Thermostat

Greenhouse Megastore™

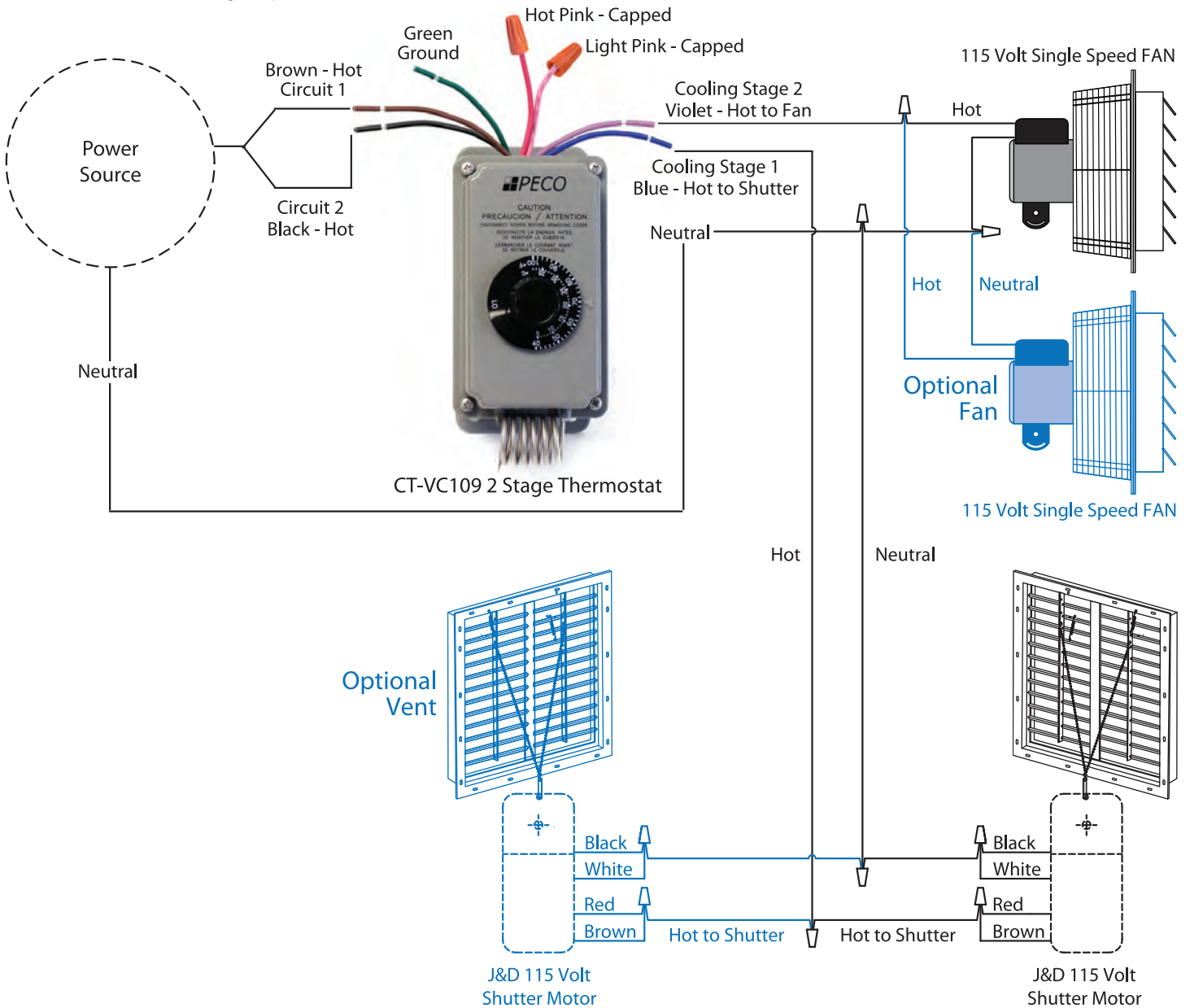
Customer Service 1-888-281-9337

## COOLING

Wiring Instructions

How to connect thermostat to

- shutter motor(s)
- fan motor(s) (single speed)



### Connecting power to the unit.

- Wiring diagram depicts control circuits only.
- All electrical components must be grounded.
- Use optional auxiliary contactor to switch loads in excess of thermostat rating.

ALL ELECTRICAL WORK SHOULD BE COMPLETED BY QUALIFIED PERSONNEL AND MEET NATIONAL, REGIONAL AND LOCAL CODES

\*Instructions for cooling only. Separate instructions available for heating.