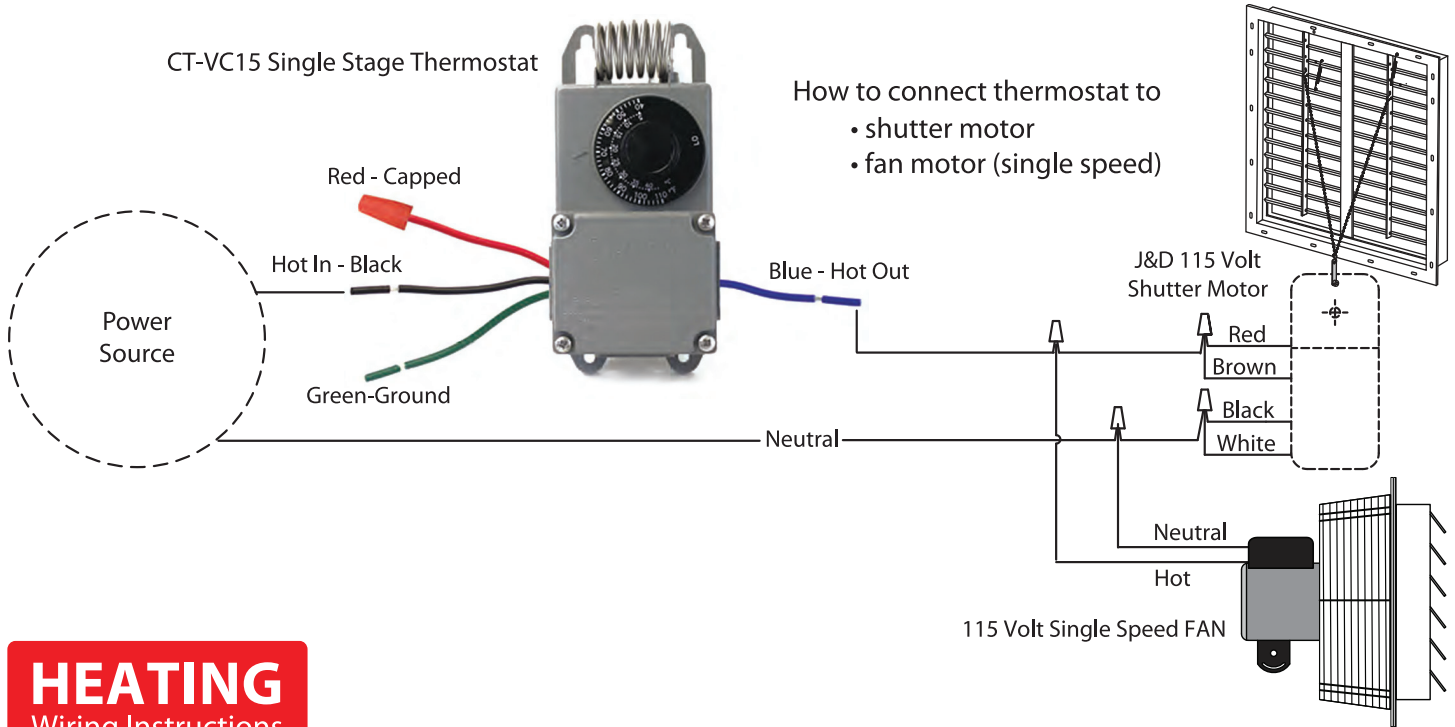


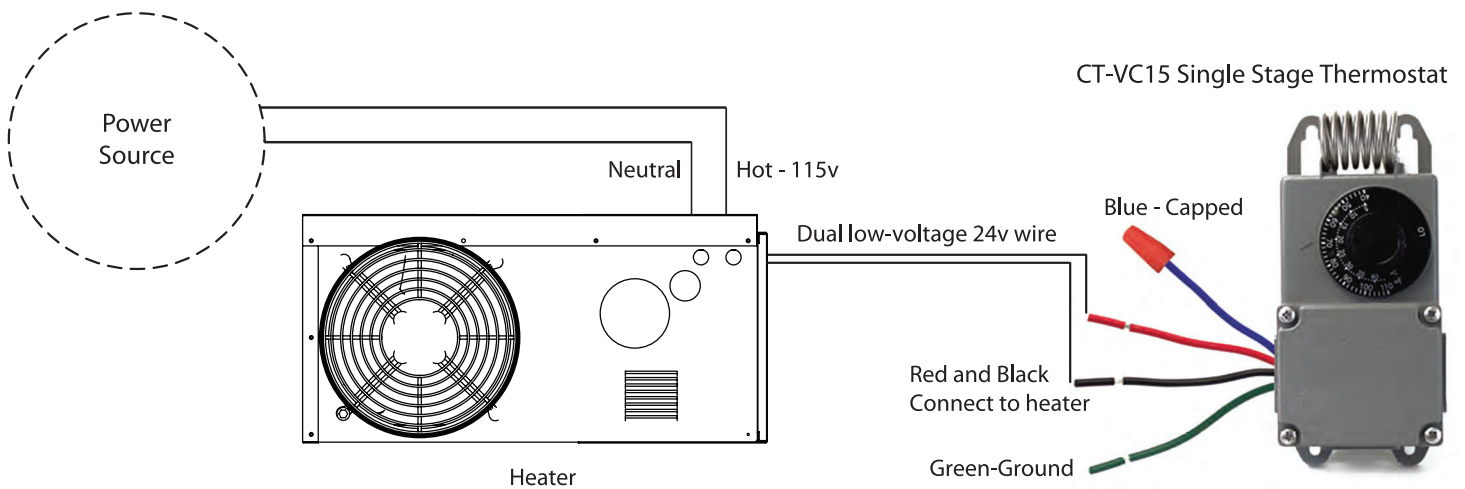
COOLING

Wiring Instructions



HEATING

Wiring Instructions



Connecting power to the unit.

- Wiring diagram depicts control circuits only.
- All electrical components must be grounded.
- Use optional auxiliary contactor to switch loads in excess of thermostat rating.

All electrical work should be completed by qualified personnel and meet national, regional and local codes.