

# DIMENSIONAL DATA - MODEL PTP

## Propeller Units - Model PTP

Figure 17.1 - Dimensional Drawings

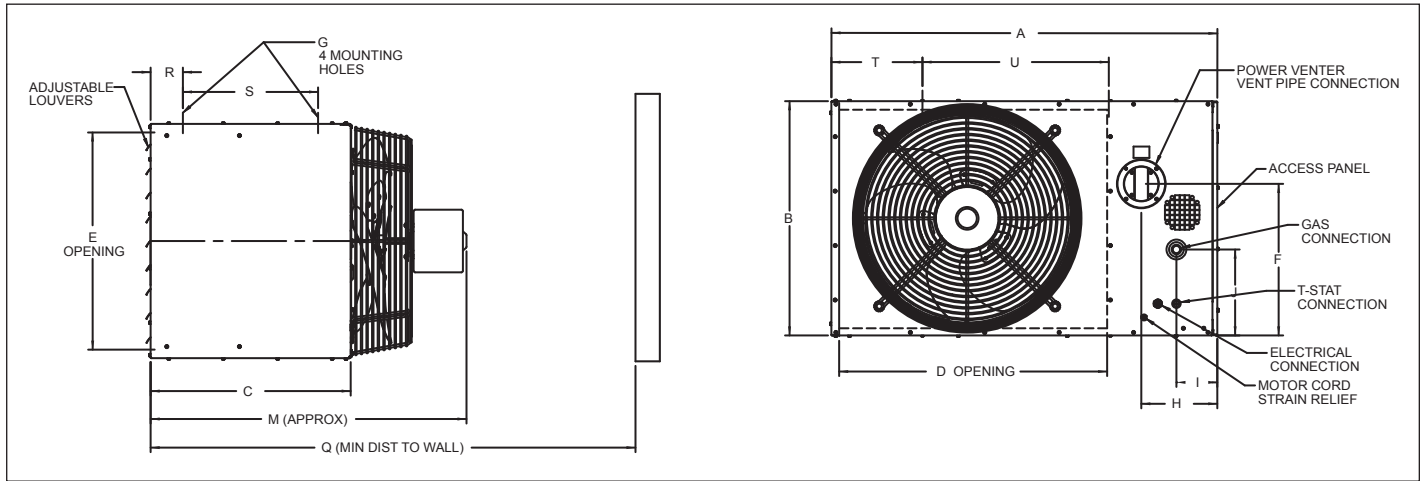


Table 17.1 - Dimensions (inches) - PTP ①

Models	PTP150	PTP175	PTP200	PTP250	PTP300	PTP350	PTP400
<b>A</b>	35.53	42.53	42.53	42.53	42.53	42.53	42.53
<b>B</b>	23.06	25.81	25.81	31.31	31.31	39.56	39.56
<b>C</b>	22.05	22.05	22.05	22.05	22.05	22.05	22.05
<b>D</b>	22.52	29.52	29.52	29.52	29.52	29.52	29.52
<b>E</b>	21.18	23.93	23.93	29.43	29.43	37.68	37.68
<b>F</b>	15.33	16.70	16.70	19.45	19.45	23.58	23.58
<b>G (Mounting Hole) ②</b>	3/8-16	3/8-16	3/8-16	3/8-16	3/8-16	3/8-16	3/8-16
<b>H</b>	8.37	8.37	8.37	8.37	8.37	8.37	8.37
<b>I</b>	4.50	4.50	4.50	4.50	4.50	4.50	4.50
<b>M</b>	31.79	32.83	34.43	33.83	33.83	34.83	34.83
<b>Q ③</b>	43.79	44.83	46.43	45.83	45.83	46.83	46.83
<b>R</b>	3.56	3.56	3.56	3.56	3.56	3.56	3.56
<b>S</b>	14.90	14.90	14.90	14.90	14.90	14.90	14.90
<b>T</b>	10.00	10.00	10.00	10.00	10.00	10.00	10.00
<b>U</b>	13.54	20.53	20.53	20.53	20.53	20.53	20.53
<b>Gas Connection</b>	1/2	1/2	1/2	3/4	3/4	3/4	3/4
<b>Vent Connector Size</b>	4"	4"	4"	6"	6"	6"	6"
<b>Fan Diameter</b>	20.00	22.00	22.00	22.00	22.00	24.00	24.00
<b>Approx. Shipping Weight (lbs.)</b>	165	210	220	265	270	310	320

① Do not use propeller units with duct work.

② Listed is the hole diameter and threads per inch to accept threaded rod.

③ Dimension equals overall plus 12".