

**Components:**  
SC963603W

**Panels:**



(2) Floor Panels  
(open hole sockets)



(3) 1st, 2nd and 3rd Levels  
(closed hole sockets)

**Legs:**

(10) - 12"  
(8) - 24"  
(8) - 36"

**Accessories:**

(4) - Mobile Bars

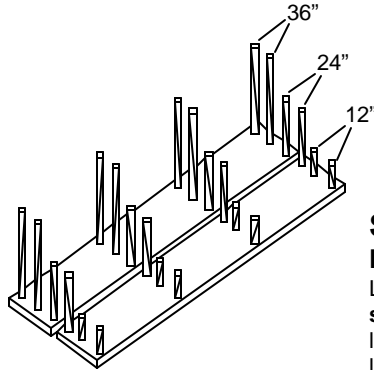
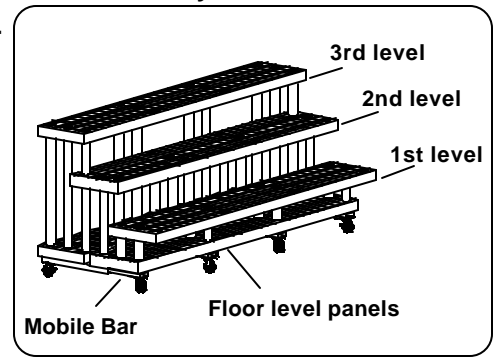
# STEPMASTER™ ASSEMBLY INSTRUCTIONS

## SC963603W

### 3 SHELF MOBILE WALL UNIT

Oil all sockets before assembly

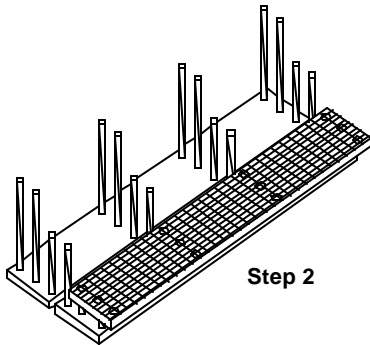
Fully Assembled



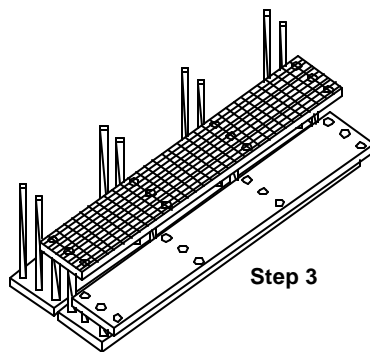
#### Step 1

##### Floor level

Lay floor panels (**open hole sockets**) in position and place legs as shown. (Make sure legs go through to ground).



Step 2

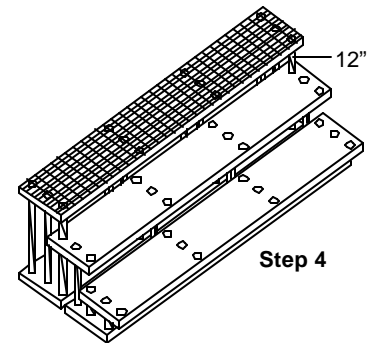


Step 3

#### Step 2 and step 3

##### 1st level and 2nd level

Position the 1st and 2nd level panels (**closed hole sockets**) overhanging outside edges as shown. Push down until leg rests on top of socket.



Step 4

#### Step 4

##### 3rd level

Position the 3rd level panel overhanging outside edge as shown. Next place the (2) remaining 12" legs in outside corners of panel. Push down until leg rests on top of socket.

## Mobile Bar

#### Step 5

##### Mobile Bar

Position fixture on its back side and insert the stems of the mobile bar inside the sockets as shown.

Brakes go to the front of the fixture.

