

SUN-STOPPER

INSTRUCTION MANUAL



INDEX

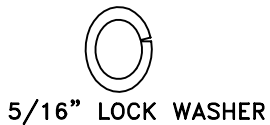
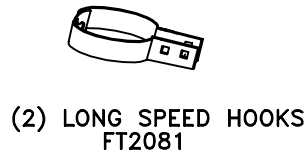
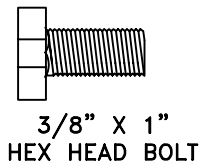
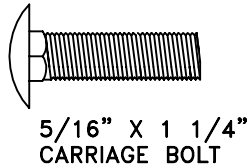
INDEX & PARTS IDENTIFICATION.....PAGE ONE

SQUARING THE FRAME.....PAGE TWO

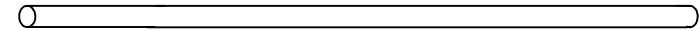
FRAME SET-UP.....PAGE THREE

INSTALLING DIAGONAL BRACES.....PAGE FOUR

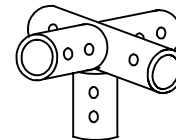
INSTALLING SHADE COLTH.....PAGE FIVE



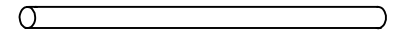
PARTS IDENTIFICATION



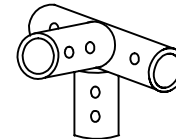
SIDE HORIZONTAL 19'-8 1/2"
SH2003



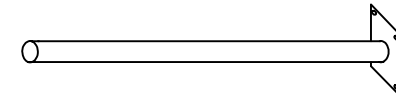
"JCT" FITTING
FT4001
(OPTIONAL)



END HORIZONTAL 9'-8 1/2"
SH2002



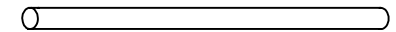
"T2" FITTING
FT4002



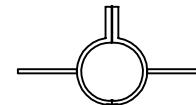
VERTICAL POST W/ BASE
SH2001



BUNGEE BALL
PT2521



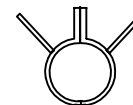
VERTICAL POST W/OUT BASE
SH2005



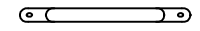
(2) 3 WAY SPEED HOOK
FT2083



GROUND STAKE
GS2404



(2) TWO WAY SPEED HOOK
FT2082



2'-8" DIAGONAL
CORNER BRACE
SH2004

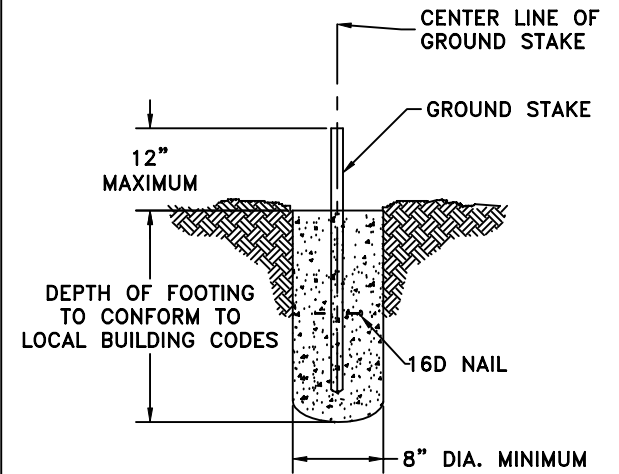
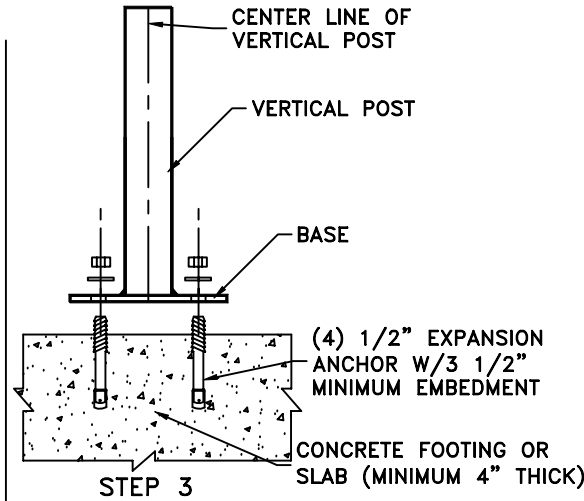
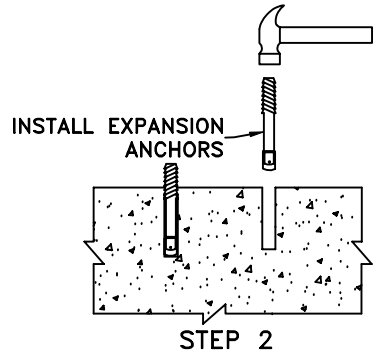
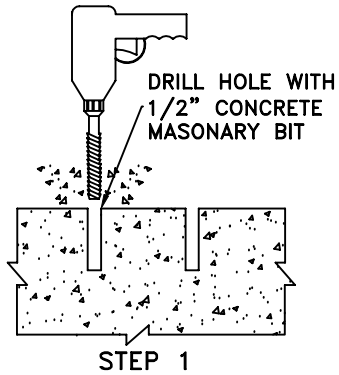
SQUARING THE FRAME

SUN-STOPPER

STOP BEFORE STARTING INSTALLATION OF VERTICAL POSTS & GROUND STAKES; PLEASE REFER TO YOUR CUSTOM LAYOUT SHEET THAT WAS SENT WITH YOUR MANUAL. FAILURE TO FOLLOW CUSTOM LAYOUT COULD RESULT IN SHORTAGE OF PARTS TO COMPLETE YOUR SUN-STOPPER

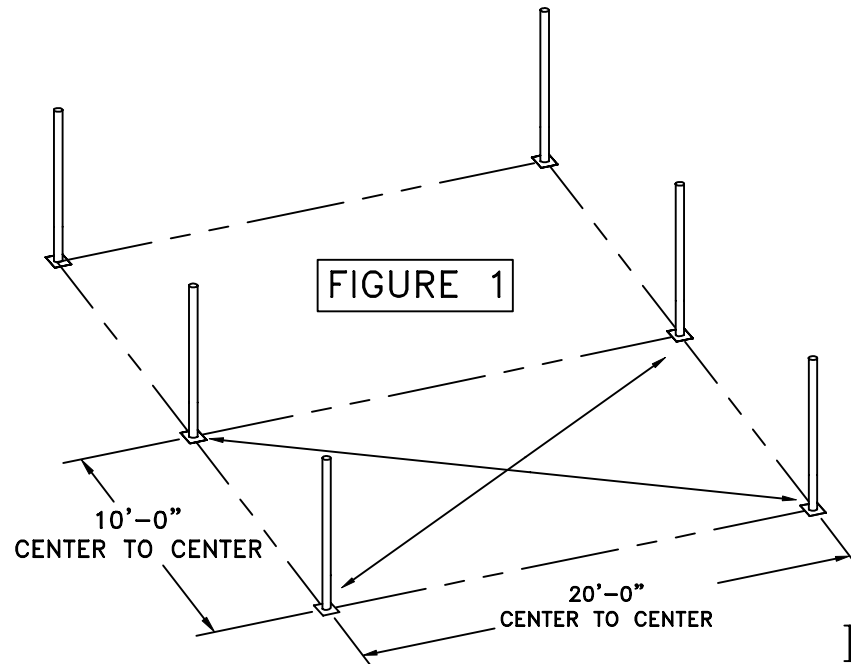
VERTICAL POST ANCHORING: WHEN USING THE VERTICAL POST W/BASE METHOD, BE SURE ONE OF THE THREE IS LEVEL; FOOTINGS HEIGHTS, CONCRETE SLAB OR THE PILLAR OF CONCRETE. (LARGE CONCRETE SLABS OR PILLARS MAY BE PITCHED FOR WATER RUNOFF.)

INSTALLING GROUND STAKES



NOTE: AS ACCURACY IN THIS PART OF THE WORK IS VERY CRITICAL, PLEASE MAKE SURE THAT THIS PAGE IS THOROUGHLY UNDERSTOOD BEFORE PROCEEDING.

One of the fastest ways to square up the structure is the cross measurement method. The diagonal measurement **MUST** be equal. Check the outside measurements to make sure they are the size you need. (center to center of vertical posts or ground stakes.) (See Figure 1)



H048 14407-8

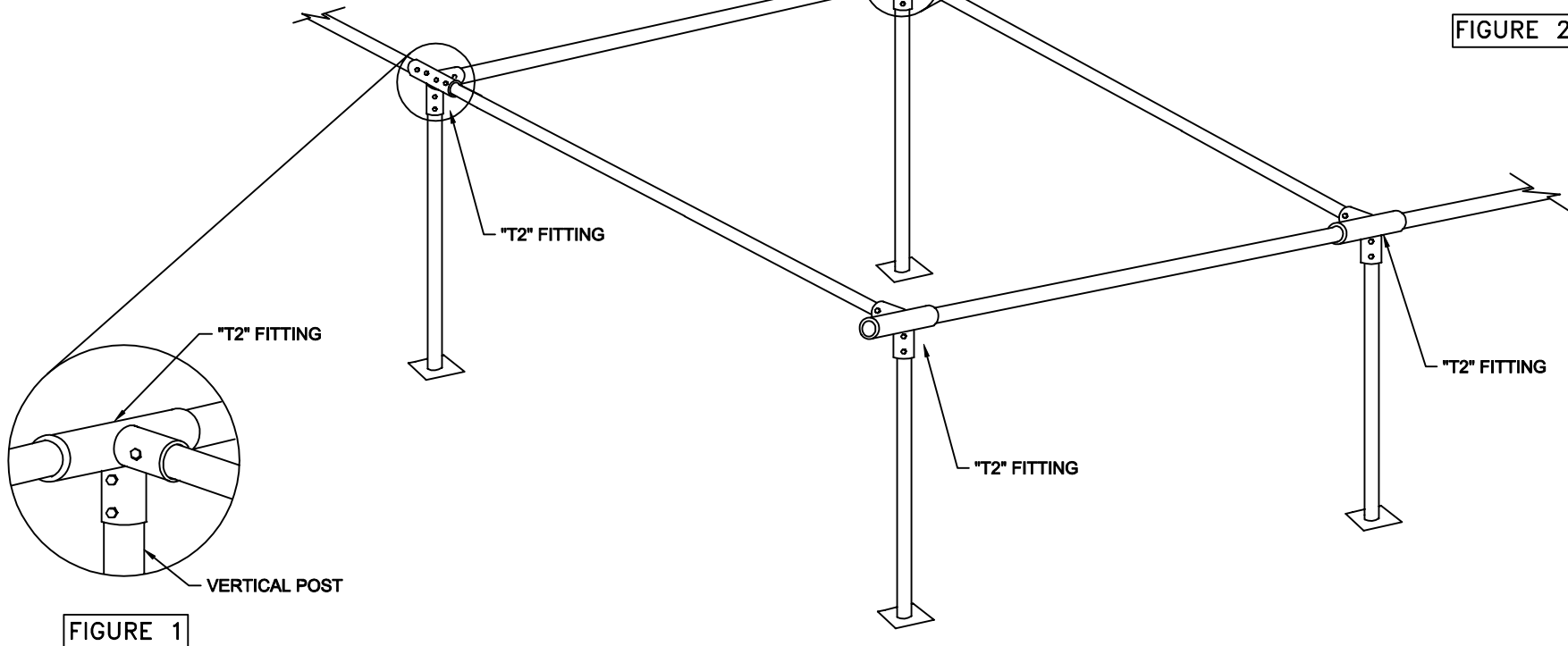
FRAME SET-UP

SUN-STOPPER

There are two different fittings that may be used. A "T2" fitting and a "JCT" fitting.

Install "T2" fittings when there are two or three horizontals connecting to one vertical post. (FIGURE 1)

Install a "JCT" fitting when there are four horizontals connecting to one vertical post. (FIGURE 2)

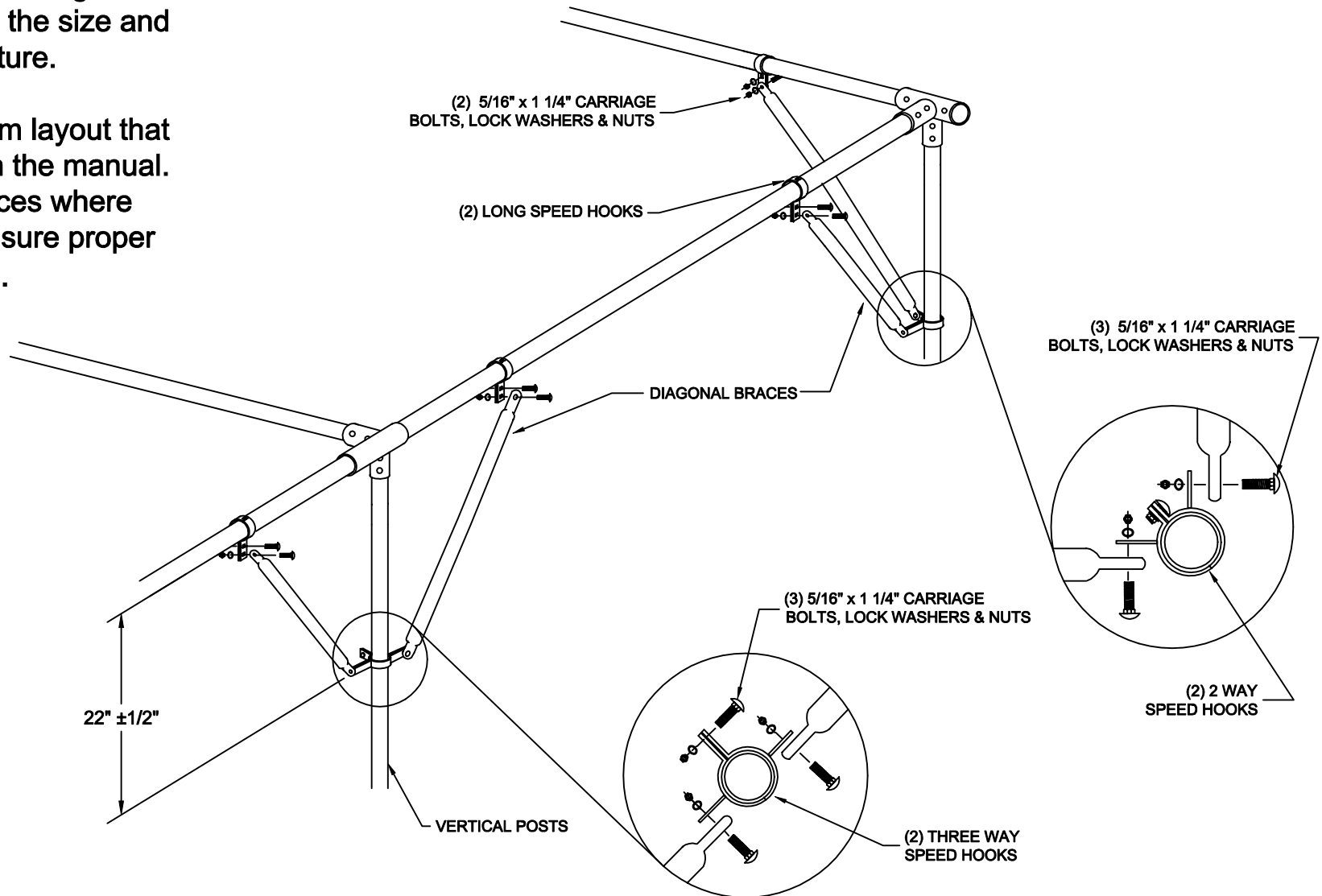


DIAGONAL BRACES

SUN-STOPPER

The placement of the diagonal braces depends on the size and shape of your structure.

Refer to your custom layout that was sent along with the manual. Install diagonal braces where layout dictates to insure proper support of structure.



SHADE CLOTH INSTALLATION

SUN-STOPPER

Your shade cloth is installed by inserting the bungee balls through the grommets and fastening them around the horizontals as shown.

